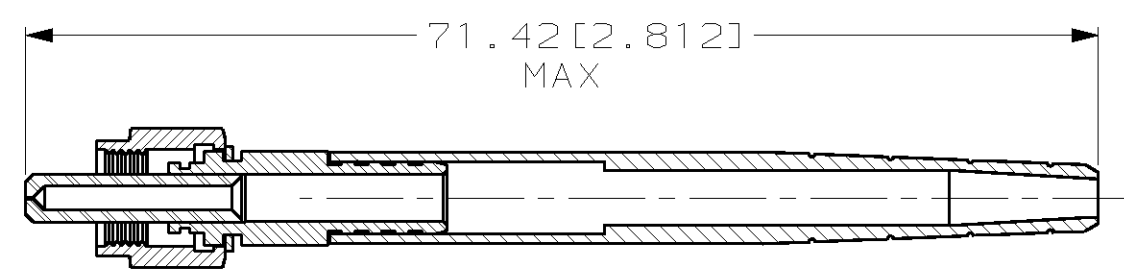
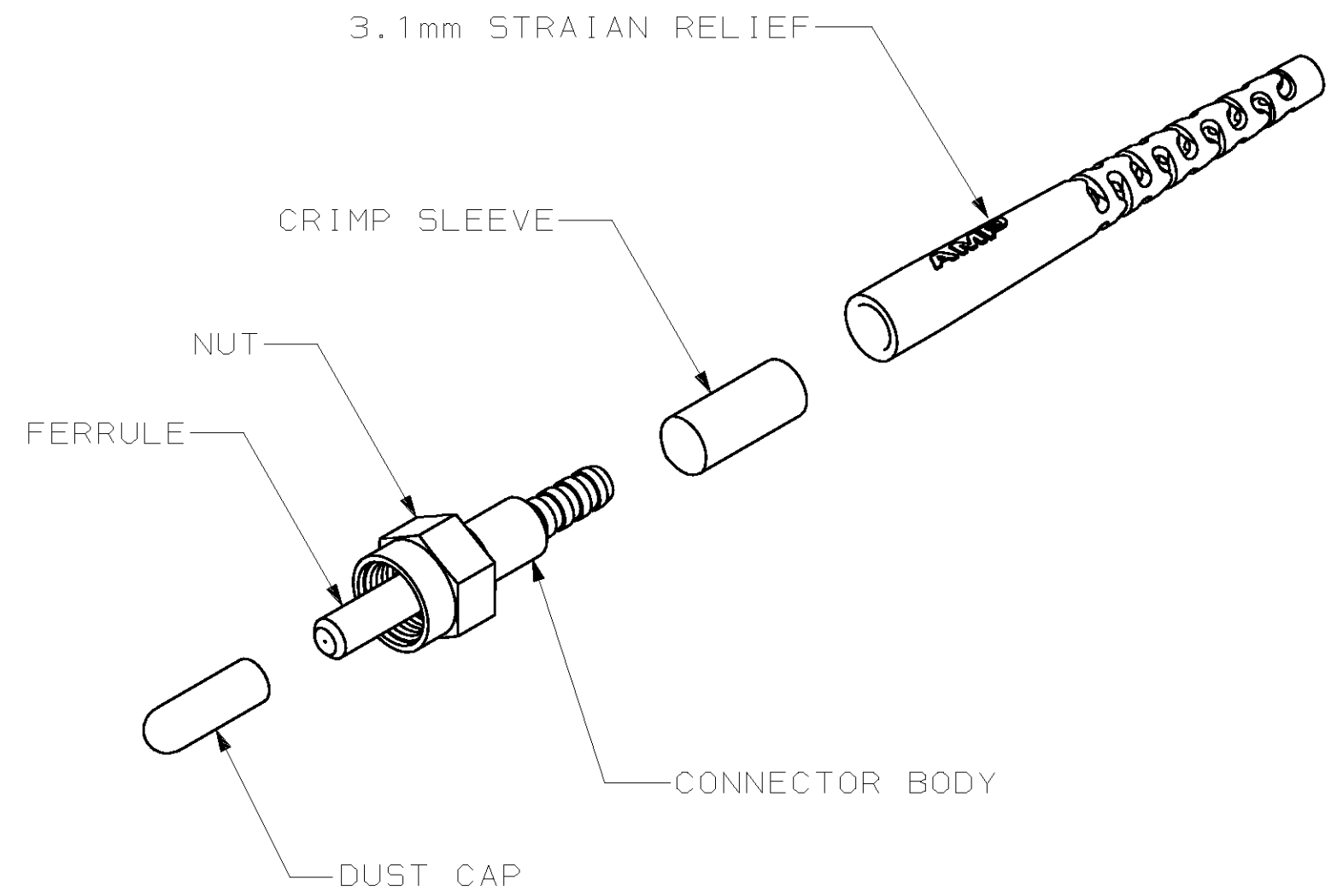


THIS DRAWING IS UNPUBLISHED. RELEASED FOR PUBLICATION
 (C) COPYRIGHT 19 BY AMP INCORPORATED. ALL RIGHTS RESERVED.

| LOC | DIST | REVISIONS | | | | | |
|-----|------|-----------|-----|----------------------------|-----------|-----|------|
| | | P | LTR | DESCRIPTION | DATE | DWN | APVD |
| CE | 16 | | | D REVISED PER 0A00-0267-01 | 12DEC2001 | TA | SB |



- 1 MATERIAL:
- a) FERRULE-STAINLESS STEEL
 - b) CONNECTOR BODY-COPPER ALLOY
 - c) NUT-COPPER ALLOY
 - d) CRIMP SLEEVE-COPPER ALLOY
 - e) BOOT- THERMOPLASTIC ELASTOMER, COLOR: BLACK
 - f) DUST CAP-VINYL, COLOR:RED
- 2 FINISH:
- a) CONNECTOR BODY-NICKEL PLATE
 - b) NUT-NICKEL PLATE
 - c) CRIMP SLEEVE-NICKEL PLATE
- 3 BULK PACKAGED 50 PER UNIT

| | | | | | |
|----------|-----------------|---|---|-------------|---|
| OBSOLETE | 600µm | 3 | 4 | 504566 | 1 |
| OBSOLETE | 436µm | 3 | 4 | 504566 | 0 |
| OBSOLETE | 240µm | 3 | 3 | 504566 | 9 |
| OBSOLETE | 231µm | 3 | 3 | 504566 | 8 |
| OBSOLETE | 125µm | 3 | 3 | 504566 | 7 |
| OBSOLETE | .082in | 3 | | 504566 | 6 |
| OBSOLETE | .065in | 3 | | 504566 | 5 |
| OBSOLETE | .047in | 3 | | 504566 | 4 |
| OBSOLETE | .046in | 3 | | 504566 | 3 |
| OBSOLETE | .043in | 3 | | 504566 | 2 |
| | .042in | 3 | | 504566 | 1 |
| | .039in | 3 | | 504566 | 0 |
| OBSOLETE | 860µm | 2 | | 504566 | 9 |
| | 641µm | 2 | | 504566 | 8 |
| OBSOLETE | 640µm | 2 | | 504566 | 7 |
| OBSOLETE | 600µm | 2 | | 504566 | 6 |
| OBSOLETE | 535µm | 2 | | 504566 | 5 |
| OBSOLETE | 500µm | 2 | | 504566 | 4 |
| OBSOLETE | 470µm | 2 | | 504566 | 3 |
| OBSOLETE | 460µm | 2 | | 504566 | 2 |
| OBSOLETE | 450µm | 2 | | 504566 | 1 |
| | 436µm | 2 | | 504566 | 0 |
| OBSOLETE | 430µm | 1 | | 504566 | 9 |
| OBSOLETE | 410µm | 1 | | 504566 | 8 |
| OBSOLETE | 400µm | 1 | | 504566 | 7 |
| OBSOLETE | 350µm | 1 | | 504566 | 6 |
| OBSOLETE | 340µm | 1 | | 504566 | 5 |
| | 336µm | 1 | | 504566 | 4 |
| OBSOLETE | 320µm | 1 | | 504566 | 3 |
| OBSOLETE | 280µm | 1 | | 504566 | 2 |
| | 270µm | 1 | | 504566 | 1 |
| | 267µm | 1 | | 504566 | 0 |
| | 250µm | | | 504566 | 9 |
| OBSOLETE | 240µm | | | 504566 | 8 |
| | 231µm | | | 504566 | 7 |
| OBSOLETE | 229µm | | | 504566 | 6 |
| OBSOLETE | 200µm | | | 504566 | 5 |
| OBSOLETE | 170µm | | | 504566 | 4 |
| OBSOLETE | 145µm | | | 504566 | 3 |
| | 140µm | | | 504566 | 2 |
| | 125µm | | | 504566 | 1 |
| | FIBER HOLE SIZE | | | PART NUMBER | |

| | | | | | |
|---|--|------------------|------------|------------------|---|
| THIS DRAWING IS A CONTROLLED DOCUMENT. | | DWN | P. YEAGER | 1-18-93 | AMP Incorporated Harrisburg, PA 17105-3608 |
| DIMENSIONS: mm [INCHES] | | CHK | R. HILEMAN | 1-27-93 | |
| TOLERANCES UNLESS OTHERWISE SPECIFIED: | | APVD | S. BUCHTER | 1-27-93 | |
| 0 PLC ±- 1 PLC ±- 2 PLC ±- 3 PLC ±- 4 PLC ±- ANGLES ±- | | NAME | | PRODUCT SPEC | |
| MATERIAL 1 | | FINISH 2 | | APPLICATION SPEC | CONNECTOR KIT, SMA 905 STAINLESS FRONT BODY, BRASS REAR BODY, 3.1mm CABLE |
| | | WEIGHT | - | SIZE | A2 |
| | | CUSTOMER DRAWING | | CAGE CODE | 00779 |
| | | | | DRAWING NO | C-504566 |
| | | | | RESTRICTED TO | - |
| | | | | SCALE | 2:1 |
| | | | | SHEET | 1 OF 1 |
| | | | | REV | D |